

## Product data sheet

### Characteristics

# XALD03

dark grey empty enclosure lid with light grey base - 3 cut-outs



### Main

Range of product	Harmony XALD
Product or component type	Empty control station
Device short name	XALD
Product destination	For XB5 Ø 22 mm control and signalling units
Number of cut-out	3 cut-outs
Colour of base of enclosure	Light grey (RAL 7035)
Colour of cover	Dark grey (RAL 7016)
Material	Polycarbonate
Cable entry	2 knock-outs for cable entry, clamping capacity: 14 mm 2 knock-outs for Pg 13 cable gland and ISO M20, clamping capacity: 12 mm
IP degree of protection	IP66 conforming to IEC 60529 IP67 IP69 IP69K

### Complementary

Assembly style	For customer assembly
Number of horizontal rows	1
Number of vertical rows	3
Net weight	0.238 kg
Resistance to high pressure washer	7000000 Pa at 55 °C, distance : 0.1 m
Mounting of block	Rear mounting Front mounting
Electrical composition code	SF1 MF2 PF2 PF1 MR1 MF1 SF2 SR1 SR2 PR1
Main group	3 cut-outs
Group of product	Standard grey

### Environment

Protective treatment	TH
Ambient air temperature for storage	-40...70 °C
Ambient air temperature for operation	-40...70 °C
Overvoltage category	Class II conforming to IEC 60536
NEMA degree of protection	NEMA 13 NEMA 4X

The information provided in this documentation contains general descriptions and/or technical characteristics of the performance of the products contained herein. This documentation is not intended as a substitute for and is not to be used for determining suitability or reliability of these products for specific user applications. It is the duty of any such user or integrator to perform the appropriate and complete risk analysis, evaluation and testing of the products with respect to the relevant specific application or use thereof. Neither Schneider Electric Industries SAS nor any of its affiliates or subsidiaries shall be responsible or liable for misuse of the information contained herein.

IK degree of protection	IK03 conforming to EN 50102
Standards	EN/IEC 60947-1 CSA C22.2 No 14 UL 508 EN/IEC 60947-5-5 EN/IEC 60947-5-1 EN/IEC 60947-5-4 JIS C8201-5-1 JIS C8201-1

## Packing Units

Unit Type of Package 1	PCE
Number of Units in Package 1	1
Package 1 Weight	222 g
Package 1 Height	7 cm
Package 1 width	7.5 cm
Package 1 Length	13.7 cm
Unit Type of Package 2	P06
Number of Units in Package 2	240
Package 2 Weight	68.924 kg
Package 2 Height	77 cm
Package 2 width	80 cm
Package 2 Length	60 cm
Unit Type of Package 3	S03
Number of Units in Package 3	30
Package 3 Weight	7.134 kg
Package 3 Height	30 cm
Package 3 width	30 cm
Package 3 Length	40 cm

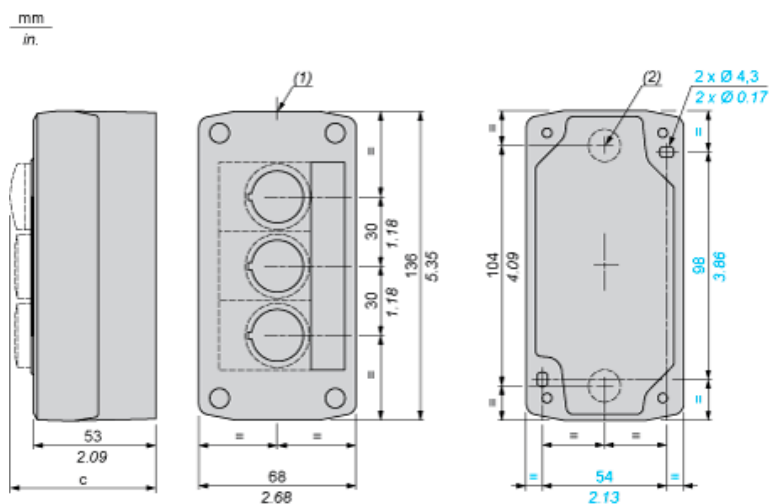
## Offer Sustainability

Sustainable offer status	Green Premium product
REACH Regulation	<a href="#">REACH Declaration</a>
REACH free of SVHC	Yes
EU RoHS Directive	Pro-active compliance (Product out of EU RoHS legal scope) <a href="#">EU RoHS Declaration</a>
Toxic heavy metal free	Yes
Mercury free	Yes
RoHS exemption information	<a href="#">Yes</a>
China RoHS Regulation	<a href="#">China RoHS Declaration</a>
Environmental Disclosure	<a href="#">Product Environmental Profile</a>
Circularity Profile	<a href="#">End Of Life Information</a>

## Contractual warranty

Warranty	12 months
----------	-----------

Dimensions



- (1) 2 knock-outs for Pg 13.5 cable gland, maximum capacity 12 mm/0.47 in.  
 (2) Knock-out for cable entry, maximum capacity 14 mm/0.55 in.

Control station fitted with:	c in mm	c in in.
Flush pushbutton	62	2.44
Illuminated pushbutton	64	2.52
Pilot light	65.5	2.58
Projecting pushbutton	66	2.60
Selector switch	80	3.15
Key switch	105.5	4.15