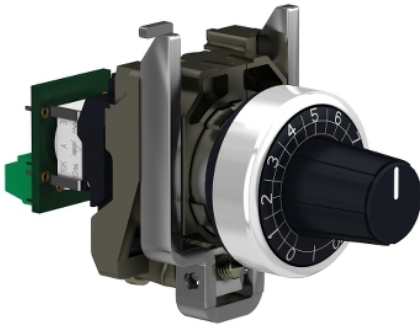


## Product data sheet

### Characteristics

# XB4BD912R1K

## head Ø22 + mounting base + potentiometer 1K



### Main

|                           |                  |
|---------------------------|------------------|
| Range of product          | Harmony XB4      |
| Product or component type | Potentiometer    |
| Device short name         | XB4              |
| Head type                 | Standard         |
| Device presentation       | Complete product |

### Complementary

|   |   |
|---|---|
| Bezel material                            | Chromium plated metal   |
| Mounting diameter                         | 22 mm   |
| Product compatibility                     | Ø 6 mm shaft  |
| Sale per indivisible quantity             | 1   |
| CAD overall width                         | 30 mm   |
| CAD overall height                        | 47 mm   |
| CAD overall depth                         | 82 mm   |
| Net weight                                | 0.095 kg  |
| Protective treatment                      | TH  |
| Ambient air temperature for storage       | -40...70 °C   |
| Ambient air temperature for operation     | -40...70 °C   |
| Electrical shock protection class         | Class II conforming to IEC 60536  |
| IP degree of protection                   | IP66 conforming to IEC 60529<br>IP69 conforming to IEC 60529<br>IP69K conforming to IEC 60529 |
| NEMA degree of protection                 | NEMA 13<br>NEMA 4X  |
| Resistance to high pressure washer        | 7000000 Pa at 55 °C, distance : 0.1 m   |
| IK degree of protection                   | IK06 conforming to IEC 50102  |
| Standards                                 | EN/IEC 60947-1<br>CSA C22.2 No 14<br>UL 508   |
| Product certifications                    | UL listed<br>BV<br>CSA  |
| Shape of signaling unit head              | Round   |
| Operator profile                          | Knurled knob, with (white)  |
| [Us] rated supply voltage                 | <= 30 V AC<br><= 42 V DC  |
| Rated power in W                          | 1 W at 70 °C  |
| Precision of internal conversion resistor | +/-10%  |
| Potentiometer characteristic              | Linear  |
| Mechanical durability                     | 50000 cycles  |
| Ohmic value                               | 1000 Ohm  |
| Material                                  | Cermet  |

The information provided in this documentation contains general descriptions and/or technical characteristics of the performance of the products contained herein. This information is not intended as a substitute for and is not to be used for determining suitability or reliability of these products for specific user applications. It is the duty of any such user or integrator to perform the appropriate and complete risk analysis, evaluation and testing of the products with respect to the relevant specific application or use thereof. Neither Schneider Electric Industries SAS nor any of its affiliates or subsidiaries shall be responsible or liable for misuse of the information contained herein.

|                      |  |
|----------------------|--|
| Vibration resistance | 5 gn (f= 2...500 Hz) conforming to IEC 60068-2-6   |
| Shock resistance     | 30 gn (duration = 18 ms) for half sine wave acceleration conforming to IEC 60068-2-27<br>50 gn (duration = 11 ms) for half sine wave acceleration conforming to IEC 60068-2-27 |
| Main group           | Potentiometer  |
| Group of product     | Potentiometer knurled knob   |
| Colour of marking    | White  |

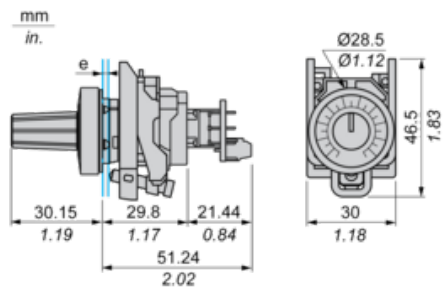
## Packing Units

|                              |          |
|------------------------------|----------|
| Unit Type of Package 1       | PCE      |
| Number of Units in Package 1 | 1        |
| Package 1 Weight             | 106 g    |
| Package 1 Height             | 5.5 cm   |
| Package 1 width              | 9.2 cm   |
| Package 1 Length             | 4.4 cm   |
| Unit Type of Package 2       | S02      |
| Number of Units in Package 2 | 40       |
| Package 2 Weight             | 4.565 kg |
| Package 2 Height             | 15 cm    |
| Package 2 width              | 30 cm    |
| Package 2 Length             | 40 cm    |

## Offer Sustainability

|                            |   |
|----------------------------|---|
| Sustainable offer status   | Green Premium product   |
| REACH Regulation           | <a href="#">REACH Declaration</a>   |
| EU RoHS Directive          | Pro-active compliance (Product out of EU RoHS legal scope) <a href="#">EU RoHS Declaration</a>                              |
| Mercury free               | Yes   |
| RoHS exemption information | <a href="#">Yes</a>   |
| China RoHS Regulation      | <a href="#">China RoHS Declaration</a>  |
| Environmental Disclosure   | <a href="#">Product Environmental Profile</a>   |
| Circularity Profile        | <a href="#">End Of Life Information</a>   |
| WEEE                       | The product must be disposed on European Union markets following specific waste collection and never end up in rubbish bins |

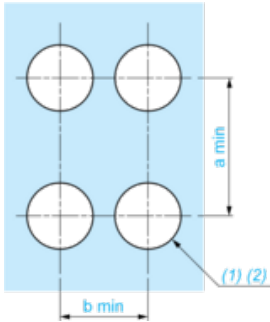
Dimensions



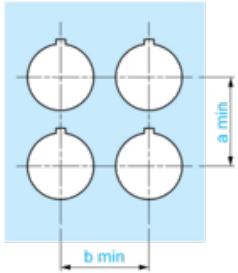
e: Panel thickness: 1 mm to 6 mm / 0.03 in. to 0.24 in

Panel Cut-out for Pushbuttons, Switches and Pilot Lights (Finished Holes, Ready for Installation)

Connection by Screw Terminals or Plug-in Connectors

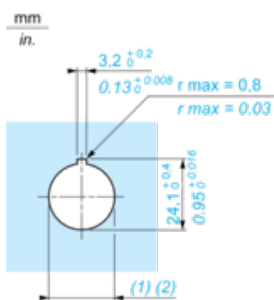


Connection by Faston Connectors



| Connections                                   | a in mm | a in in. | b in mm | b in in. |
|---|---------|----------|---------|----------|
| By screw clamp terminals or plug-in connector | 40      | 1.57     | 30      | 1.18     |
| By Faston connectors                          | 45      | 1.77     | 32      | 1.26     |

Detail of Lug Recess



(1) Diameter on finished panel or support

(2)  $\varnothing 22.5$  mm recommended ( $\varnothing 22.3_0^{+0.4}$ ) /  $\varnothing 0.89$  in. recommended ( $\varnothing 0.88$  in.  $_0^{+0.016}$ )