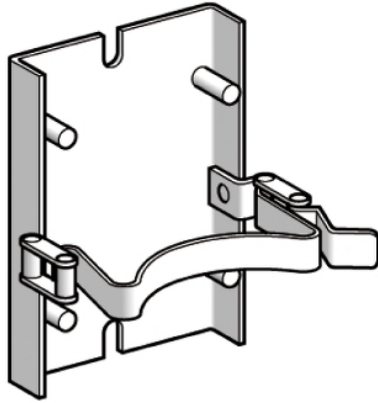


XCRZ09

Limit switches XC Standard, quick fixing release bracket, quick fixing release bracket, for XCRA,B, E, F



Main

Range of product	OsiSense XC
Series name	Special format
Accessory / separate part designation	Quick fixing release bracket
Accessory / separate part destination	XCRB XCRA XCRE XCRF
Accessory / separate part category	Fixing accessories

Complementary

Net weight	0.52 kg
------------	---------

Packing Units

Unit Type of Package 1	PCE
Number of Units in Package 1	1
Package 1 Height	12.5 cm
Package 1 Width	7.0 cm
Package 1 Length	14.0 cm
Package 1 Weight	540.0 g

Offer Sustainability

Sustainable offer status	Green Premium product
Circularity Profile	No need of specific recycling operations
California proposition 65	WARNING: This product can expose you to chemicals including: Diisononyl phthalate (DINP), which is known to the State of California to cause cancer, and Di-isodecyl phthalate (DIDP), which is known to the State of California to cause birth defects or other reproductive harm. For more information go to www.P65Warnings.ca.gov
For all Reach Rohs enquiries contact us at	sustainability@tesensors.com

Contractual warranty

Warranty	18 months
----------	-----------

The information provided in this documentation contains general descriptions and/or technical characteristics of the performance of the products contained herein. This documentation is not intended as a substitute for and is not to be used for determining suitability or reliability of these products for specific user applications. It is the duty of any such user or integrator to perform the appropriate and complete risk analysis, evaluation and testing of the products with respect to the relevant specific application or use thereof. Neither TWSS Holding nor any of its affiliates or subsidiaries shall be responsible or liable for misuse of the information contained herein.