

# XMLB070D2S11

pressure switch XMLB 70 bar - adjustable  
scale 2 thresholds - 1 C/O



## Main

|   |   |
|---|---|
| Range of product  | Telemecanique Pressure sensors XM   |
| Product or component type                               | Electromechanical pressure sensor   |
| Pressure sensor type                                    | Electromechanical pressure sensor   |
| Device short name                                       | XMLB  |
| Pressure rating   | 70 bar  |
| Controlled fluid  | Hydraulic oil (0...160 °C)  |
| Fluid connection type                                   | G 1/4 (female) conforming to ISO 228  |
| Electrical connection                                   | Screw-clamps terminals, 1 x 0.5...2 x 2.5 mm <sup>2</sup><br>1 connector Pg 13  |
| AWG gauge   | AWG 20...AWG 14   |
| Cable entry   | Cable gland 9...13 mm   |
| Contacts type and composition                           | 1 C/O   |
| Product specific application                            | -   |
| Pressure switch type of operation                       | Regulation between 2 thresholds   |
| Electrical circuit type                                 | Control circuit   |
| Scale type  | Adjustable differential   |
| Local display   | With  |
| Adjustable range of switching point on rising pressure  | 7...70 bar  |
| Adjustable range of switching point on falling pressure | 2.3...61.2 bar  |
| Possible differential maximum at high setting           | 50 bar  |
| Maximum permissible accidental pressure                 | 160 bar   |
| Destruction pressure                                    | 320 bar   |
| Pressure actuator                                       | Piston  |
| Materials in contact with fluid                         | Steel<br>FPM, FKM<br>PTFE<br>Brass  |
| Enclosure material                                      | Zinc alloy  |
| [In] rated current                                      | 3 A, B300, AC-15 (Ue = 120 V) conforming to IEC 60947-5-1<br>1.5 A, B300, AC-15 (Ue = 240 V) conforming to IEC 60947-5-1<br>0.1 A, R300, DC-13 (Ue = 250 V) conforming to IEC 60947-5-1 |

## Complementary

|   |                                |
|---|--------------------------------|
| Possible differential minimum at low setting  | 4.7 bar (- 0.4 bar, + 0.7 bar) |
| Possible differential minimum at high setting | 8.8 bar (- 0.6 bar, + 0.8 bar) |
| Maximum permissible pressure - per cycle      | 90 bar                         |
| Terminal block type                           | 4 terminals                    |
| Maximum operating rate                        | 60 cyc/mn                      |
| Repeat accuracy                               | 2 %                            |

|  |  |
|--|--|
| [Ui] rated insulation voltage          | 300 V conforming to UL 508<br>500 V conforming to IEC 60947-1<br>300 V conforming to CSA C22.2 No 14 |
| [Uimp] rated impulse withstand voltage | 6 kV conforming to IEC 60947-1   |
| Auxiliary contacts operation           | Snap action  |
| Contacts material                      | Silver contacts  |
| Maximum resistance across terminals    | 25 MOhm conforming to IEC 255-7 category 3<br>25 mOhm conforming to NF C 93-050 method A             |
| Short-circuit protection               | 10 A cartridge fuse, type gG (gl)  |
| Mechanical durability                  | 6000000 cycles   |
| Setting                                | External   |
| Height                                 | 113 mm   |
| Depth                                  | 75 mm  |
| Width                                  | 35 mm  |
| Net weight                             | 0.715 kg   |

## Environment

|                                       |  |
|---------------------------------------|--|
| Standards                             | CE<br>IEC 60947-5-1<br>CSA C22.2 No 14<br>UL 508   |
| Product certifications                | LROS (Lloyds register of shipping)<br>[RETURN]BV[RETURN]UL[RETURN]CSA[RETURN]CCC                     |
| Protective treatment                  | TC standard version  |
| Ambient air temperature for operation | -25...70 °C  |
| Ambient air temperature for storage   | -40...70 °C  |
| Operating position                    | Any position   |
| Vibration resistance                  | 4 gn conforming to IEC 60068-2-6 (f = 30...500 Hz)   |
| Shock resistance                      | 50 gn conforming to IEC 60068-2-27   |
| Electrical shock protection class     | Class I conforming to IEC 1140<br>Class I conforming to IEC 536<br>Class I conforming to NF C 20-030 |
| IP degree of protection               | IP66 conforming to IEC 60529   |

## Packing Units

|                              |           |
|------------------------------|-----------|
| Unit Type of Package 1       | PCE       |
| Number of Units in Package 1 | 1         |
| Package 1 Height             | 4.000 cm  |
| Package 1 Width              | 12.200 cm |
| Package 1 Length             | 8.500 cm  |
| Package 1 Weight             | 778.000 g |
| Unit Type of Package 2       | S02       |
| Number of Units in Package 2 | 13        |
| Package 2 Height             | 15.000 cm |
| Package 2 Width              | 30.000 cm |
| Package 2 Length             | 40.000 cm |
| Package 2 Weight             | 10.476 kg |

## Offer Sustainability

|  |   |
|--|---|
| Sustainable offer status                   | Green Premium product   |
| Circularity Profile                        | No need of specific recycling operations  |
| California proposition 65                  | WARNING: This product can expose you to chemicals including: Diisononyl phthalate (DINP), which is known to the State of California to cause cancer, and Di-isodecyl phthalate (DIDP), which is known to the State of California to cause birth defects or other reproductive harm. For more information go to <a href="http://www.P65Warnings.ca.gov">www.P65Warnings.ca.gov</a> |
| For all Reach Rohs enquiries contact us at | <a href="mailto:sustainability@tesensors.com">sustainability@tesensors.com</a>  |

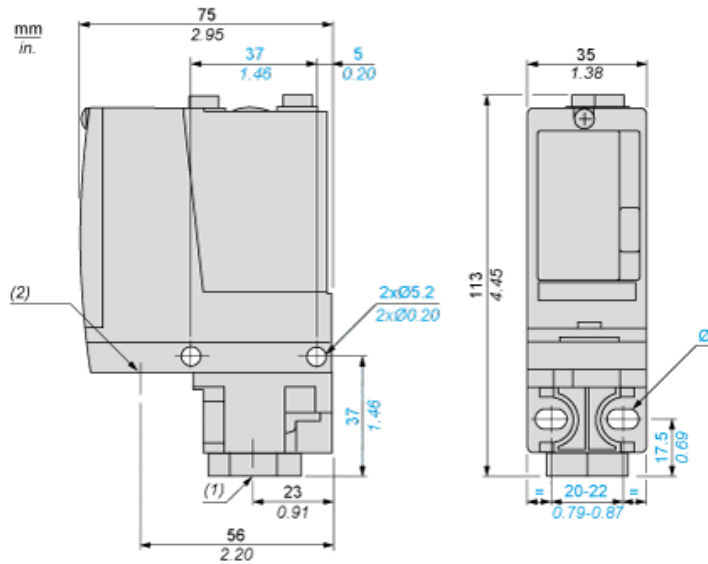
## Contractual warranty

---

|          |           |
|----------|-----------|
| Warranty | 18 months |
|----------|-----------|

---

Dimensions



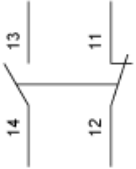
- (1) 1 fluid entry, tapped G1/4 (BSP female)
- (2) 1 electrical connections entry, tapped Pg 13.5
- Ø : 2 elongated holes Ø 5.2 x 6.7

---

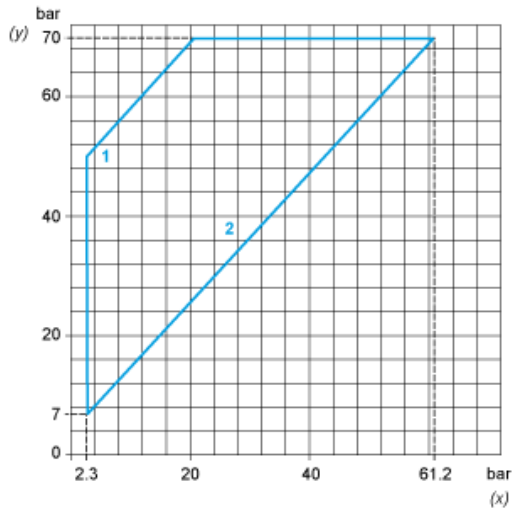
## Wiring Diagram

---

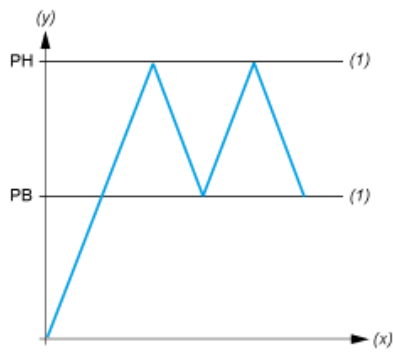
### Terminal Model



Operating Curves



- (y) Rising pressure
- (x) Falling pressure
- 1 : Maximum differential
- 2 : Minimum differential



- (y) Pressure
- (x) Time
- (1) Adjustable value
- PH : High point
- PB : Below point