

XMLBM02V2S11

vacuum switch XMLB -1 bar - adjustable scale
2 thresholds - 1 C/O



Main

| | |
|---|---|
| Range of product | Telemecanique Pressure sensors XM |
| Product or component type | Electromechanical pressure sensor |
| Pressure sensor type | Electromechanical vacuum sensor |
| Device short name | XMLB |
| Pressure rating | -1 bar |
| Controlled fluid | Air (0...70 °C) Fresh water (0...70 °C) Hydraulic oil (0...70 °C) |
| Fluid connection type | G 1/4 (female) conforming to ISO 228 |
| Electrical connection | Screw-clamps terminals, 1 x 0.5...2 x 2.5 mm ² 1 connector Pg 13 |
| AWG gauge | AWG 20...AWG 14 |
| Cable entry | Cable gland 9...13 mm |
| Contacts type and composition | 1 C/O |
| Product specific application | - |
| Pressure switch type of operation | Regulation between 2 thresholds |
| Electrical circuit type | Control circuit |
| Scale type | Adjustable differential |
| Local display | With |
| Adjustable range of switching point on rising pressure | -0.87...-0.01 bar |
| Adjustable range of switching point on falling pressure | -1...-0.14 bar |
| Possible differential maximum at high setting | 0.8 bar |
| Maximum permissible accidental pressure | 9 bar |
| Destruction pressure | 18 bar |
| Pressure actuator | Diaphragm |
| Materials in contact with fluid | Zinc alloy Nitrile 304L stainless steel |
| Enclosure material | Zinc alloy |
| [In] rated current | 3 A, B300, AC-15 (U _e = 120 V) conforming to IEC 60947-5-1 1.5 A, B300, AC-15 (U _e = 240 V) conforming to IEC 60947-5-1 0.1 A, R300, DC-13 (U _e = 250 V) conforming to IEC 60947-5-1 |

Complementary

| | |
|---|-------------------------|
| Possible differential minimum at low setting | 0.13 bar (+/- 0.02 bar) |
| Possible differential minimum at high setting | 0.13 bar (+/- 0.02 bar) |
| Maximum permissible pressure - per cycle | 5 bar |
| Terminal block type | 4 terminals |
| Maximum operating rate | 120 cyc/mn |
| Repeat accuracy | 2 % |

The information provided in this documentation contains general descriptions and/or technical characteristics of the performance of the products contained herein. This documentation is not intended as a substitute for and is not to be used for determining suitability or reliability of these products for specific user applications. It is the duty of any such user or integrator to perform the appropriate and complete risk analysis, evaluation and testing of the products with respect to the relevant specific application or use thereof. Neither TWSS Holding nor any of its affiliates or subsidiaries shall be responsible or liable for misuse of the information contained herein.

| | |
|--|--|
| [Ui] rated insulation voltage | 300 V conforming to UL 508 500 V conforming to IEC 60947-1 300 V conforming to CSA C22.2 No 14 |
| [Uimp] rated impulse withstand voltage | 6 kV conforming to IEC 60947-1 |
| Auxiliary contacts operation | Snap action |
| Contacts material | Silver contacts |
| Maximum resistance across terminals | 25 MOhm conforming to IEC 255-7 category 3 25 mOhm conforming to NF C 93-050 method A |
| Short-circuit protection | 10 A cartridge fuse, type gG (gl) |
| Mechanical durability | 3000000 cycles |
| Setting | External |
| Height | 158 mm |
| Depth | 77.5 mm |
| Width | 55 mm |
| Net weight | 1.015 kg |

Environment

| | |
|---------------------------------------|--|
| Standards | CE CSA C22.2 No 14 IEC 60947-5-1 UL 508 |
| Product certifications | CCC[RETURN]JUL[RETURN]CSA[RETURN]LROS (Lloyds register of shipping) [RETURN]BV |
| Protective treatment | TC standard version |
| Ambient air temperature for operation | -25...70 °C |
| Ambient air temperature for storage | -40...70 °C |
| Operating position | Any position |
| Vibration resistance | 4 gn conforming to IEC 60068-2-6 (f = 30...500 Hz) |
| Shock resistance | 50 gn conforming to IEC 60068-2-27 |
| Electrical shock protection class | Class I conforming to IEC 1140 Class I conforming to IEC 536 Class I conforming to NF C 20-030 |
| IP degree of protection | IP66 conforming to IEC 60529 |

Packing Units

| | |
|------------------------------|-----------|
| Unit Type of Package 1 | PCE |
| Number of Units in Package 1 | 1 |
| Package 1 Height | 6.000 cm |
| Package 1 Width | 14.500 cm |
| Package 1 Length | 10.600 cm |
| Package 1 Weight | 1.050 kg |
| Unit Type of Package 2 | S01 |
| Number of Units in Package 2 | 4 |
| Package 2 Height | 15.000 cm |
| Package 2 Width | 15.000 cm |
| Package 2 Length | 40.000 cm |
| Package 2 Weight | 4.407 kg |

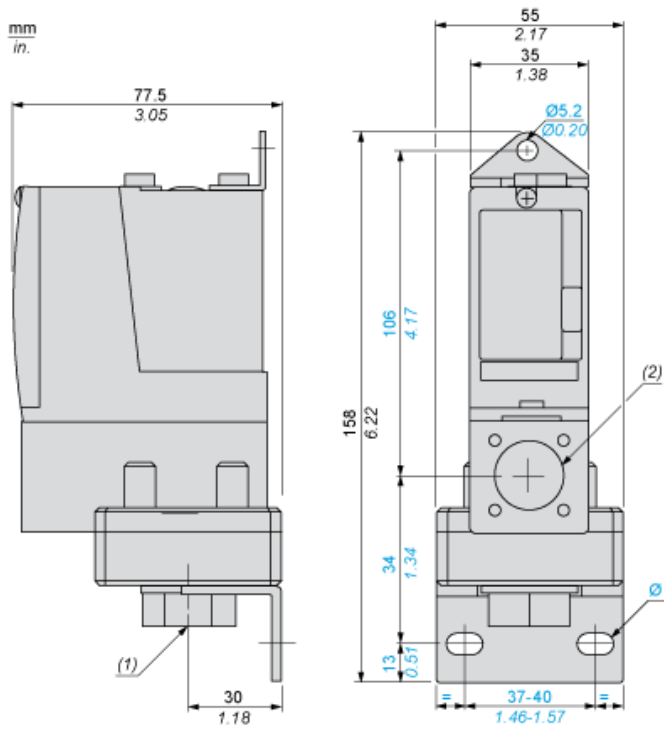
Offer Sustainability

| | |
|--|---|
| Sustainable offer status | Green Premium product |
| Circularity Profile | No need of specific recycling operations |
| California proposition 65 | WARNING: This product can expose you to chemicals including: Diisononyl phthalate (DINP), which is known to the State of California to cause cancer, and Di-isodecyl phthalate (DIDP), which is known to the State of California to cause birth defects or other reproductive harm. For more information go to www.P65Warnings.ca.gov |
| For all Reach Rohs enquiries contact us at | sustainability@tesensors.com |

Contractual warranty

| | |
|----------|-----------|
| Warranty | 18 months |
|----------|-----------|

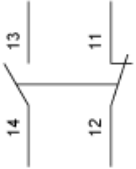
Dimensions



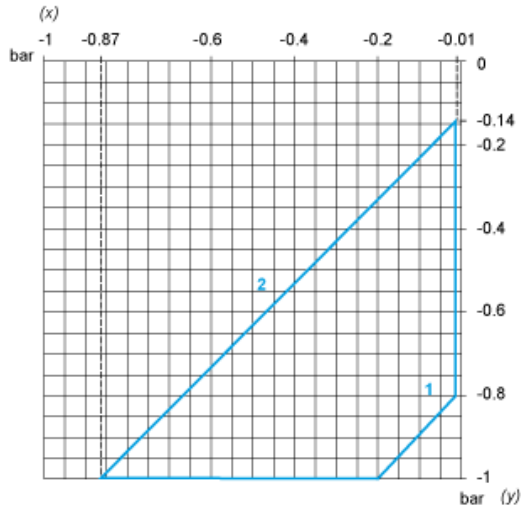
- (1) 1 fluid entry, tapped G1/4 (BSP female)
- (2) 1 electrical connections entry, tapped Pg 13.5
- Ø : 2 elongated holes Ø 10.2 x 5.2

Wiring Diagram

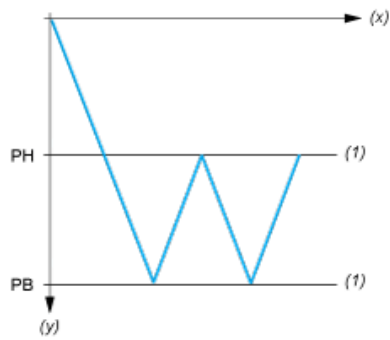
Terminal Model



Operating Curves



- (x) Rising pressure
- (y) Falling pressure
- 1: Maximum differential
- 2: Minimum differential



- (x) Time
- (y) Vacuum
- (1) Adjustable value
- PH: High point
- PB: Below point