

XU5M18AB20D

Photoelectric sensors XU, XU5, diffuse, analog,
Sn 0.4 m, 12...24VDCM12



Main

Range of product	Telemecanique Photoelectric sensors XU
Series name	Application material handling
Electronic sensor type	Photo-electric sensor
Sensor name	XU5
Sensor design	Cylindrical M18
Detection system	Diffuse
Material	Metal
Line of sight type	Axial
Type of output signal	Analogue
Supply circuit type	DC
Wiring technique	3-wire
Discrete output type	PNP
Analogue output range	4...20 mA
Electrical connection	1 male connector M12, 4 pins
Product specific application	-
Emission	Infrared diffuse
[Sn] nominal sensing distance	0.05...0.4 m diffuse

Complementary

Enclosure material	Nickel plated brass
Lens material	PMMA
Maximum sensing distance	0.4 m
Add on output	With analogue output
Status LED	1 LED (green) for output state
[Us] rated supply voltage	12...24 V DC with reverse polarity protection
Supply voltage limits	10...30 V DC
Switching capacity in mA	4...20 mA
Switching frequency	<= 20 Hz
Current consumption	<= 30 mA no-load
Maximum delay first up	50 ms
Setting-up	Sensitivity adjustment with potentiometer
Diameter	18 mm
Length	95 mm
Net weight	0.075 kg

Environment

Product certifications	CE[RETURN]UL[RETURN]CSA
Ambient air temperature for operation	-25...55 °C
Ambient air temperature for storage	-40...70 °C
Vibration resistance	25 gn, amplitude = +/- 2 mm (f = 10...55 Hz) conforming to IEC 60068-2-6
Shock resistance	30 gn (duration = 11 ms) conforming to IEC 60068-2-27
IP degree of protection	IP67 conforming to IEC 60529

Packing Units

Unit Type of Package 1	PCE
Number of Units in Package 1	1
Package 1 Height	6.4 cm
Package 1 Width	9.2 cm
Package 1 Length	4.2 cm
Package 1 Weight	88.0 g
Unit Type of Package 2	S01
Number of Units in Package 2	22
Package 2 Height	15.0 cm
Package 2 Width	15.0 cm
Package 2 Length	40.0 cm
Package 2 Weight	2.154 kg

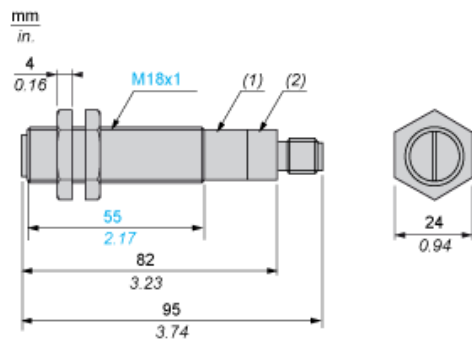
Offer Sustainability

Sustainable offer status	Green Premium product
California proposition 65	WARNING: This product can expose you to chemicals including: Diisononyl phthalate (DINP), which is known to the State of California to cause cancer, and Di-isodecyl phthalate (DIDP), which is known to the State of California to cause birth defects or other reproductive harm. For more information go to www.P65Warnings.ca.gov
For all Reach Rohs enquiries contact us at	sustainability@tesensors.com

Contractual warranty

Warranty	18 months
----------	-----------

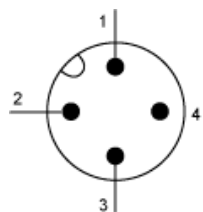
Dimensions



- (1) Potentiometer
- (2) Green LED

Connections and Schemes

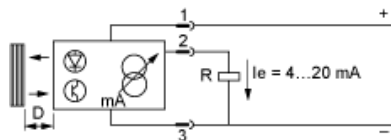
Connector Scheme



- 1: (+)
- 2: Analogue output
- 3: (-)

Wiring Schemes

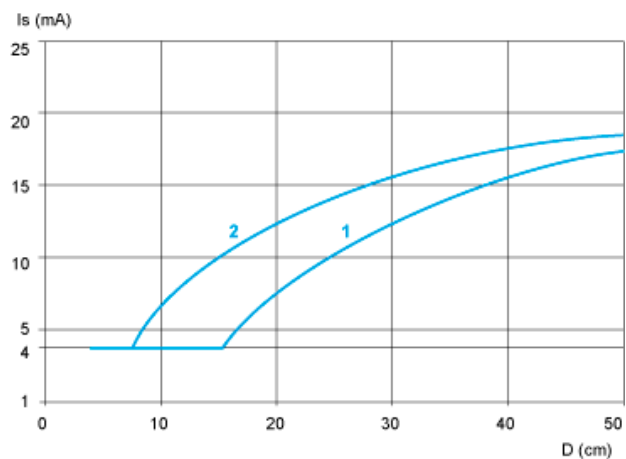
Output Current



Curves

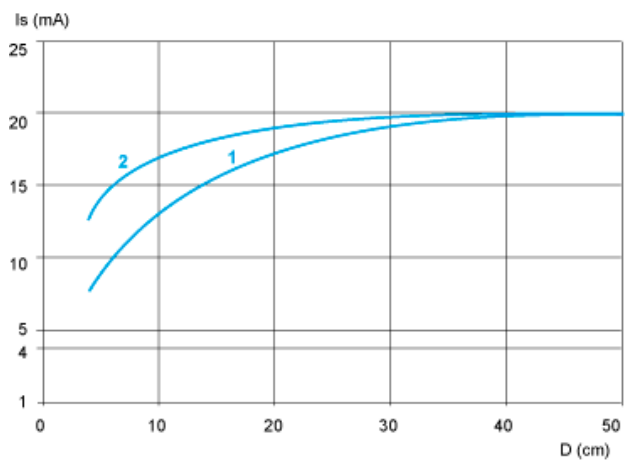
Output Signal (Related to Distance of Object)

Potentiometer Set at Maximum



- 1 : White 90% object
- 2 : Grey 15% object

Potentiometer Set at Minimum



- 1 : White 90% object
- 2 : Grey 15% object