

XU5M18U1D

Photoelectric sensors XU, XU5, diffuse, luminescence, Sn 80 mm, 12...24 VDC, M12



Main

Range of product	Telemecanique Photoelectric sensors XU
Series name	Application packaging
Electronic sensor type	Photo-electric sensor
Product specific application	Luminescence
Sensor name	XU5
Sensor design	M18
Detection system	Diffuse
[Sn] nominal sensing distance	0...80 Mm in diffuse mode 20 mm spot Ø 3 x 1 mm for colour mark reading
Material	Metal
Type of output signal	Discrete
Supply circuit type	DC
Wiring technique	3-wire
Discrete output type	PNP
Discrete output function	1 NO
Electrical connection	1 male connector M12, 4 pins
Emission	Ultra-violet (transmission frequency = 370 nm)

Complementary

Enclosure material	Nickel plated brass
Lens material	PMMA
Output type	Solid state
Output function governance	Light
Add on output	Without
Status LED	Output state: 1 LED (yellow)
[Us] rated supply voltage	12...24 V DC with reverse polarity protection
Supply voltage limits	10...30 V DC
Switching capacity in mA	<= 100 mA (reverse polarity, overload and short-circuit protection)
Switching frequency	<= 1000 Hz
Maximum voltage drop	<1.5 V (closed state), PNP
Current consumption	<= 20 mA no-load
Time delay range	20 ms off-delay activation/deactivation by cabling method delay
Maximum delay first up	100 ms
Maximum delay response	0.5 ms
Maximum delay recovery	0.5 ms
Setting-up	Sensitivity adjustment with potentiometer
Diameter	18 mm
Length	95 mm
Net weight	0.075 kg

Environment

Product certifications	CE[RETURN]JUL[RETURN]CSA
Ambient air temperature for operation	-25...55 °C
Ambient air temperature for storage	-40...70 °C
Vibration resistance	7 gn, amplitude = +/- 0.6 mm (f = 10...55 Hz) conforming to IEC 60068-2-6
Shock resistance	30 gn (duration = 11 ms) conforming to IEC 60068-2-27
IP degree of protection	IP67 conforming to IEC 60529

Packing Units

Unit Type of Package 1	PCE
Number of Units in Package 1	1
Package 1 Height	7.1 cm
Package 1 Width	9.6 cm
Package 1 Length	4.3 cm
Package 1 Weight	88.0 g
Unit Type of Package 2	S01
Number of Units in Package 2	11
Package 2 Height	15.0 cm
Package 2 Width	15.0 cm
Package 2 Length	40.0 cm
Package 2 Weight	1.193 kg

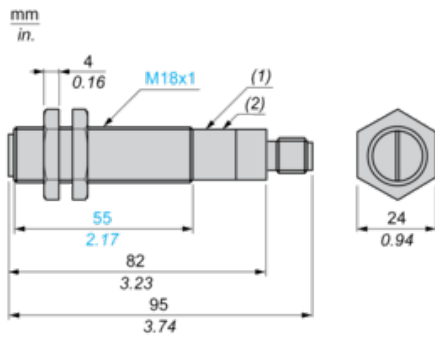
Offer Sustainability

Sustainable offer status	Green Premium product
California proposition 65	WARNING: This product can expose you to chemicals including: Diisononyl phthalate (DINP), which is known to the State of California to cause cancer, and Di-isodecyl phthalate (DIDP), which is known to the State of California to cause birth defects or other reproductive harm. For more information go to www.P65Warnings.ca.gov
For all Reach Rohs enquiries contact us at	sustainability@tesensors.com

Contractual warranty

Warranty	18 months
----------	-----------

Dimensions



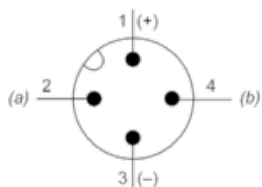
- (1) Potentiometer
- (2) Green LED

Mounting and Clearance

Fixing nut tightening torque: < 15 N.m

Wiring Schemes

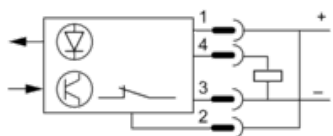
Connector Scheme



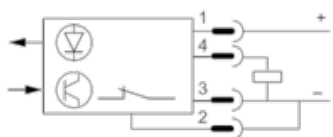
(a) Time delay: "OFF delay" of output signal: - no time delay: connect contact 2 to (+), - 20 ms time delay: connect contact 2 to (-)
(b) Output

PNP Output (3-wire Discontinue Current)

Without output signal time delay

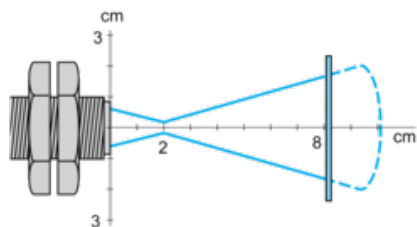


With output signal time delay (20 ms)



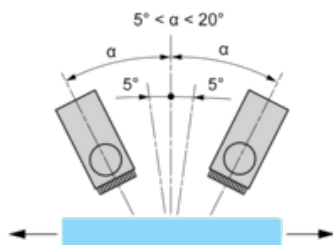
Curves

Detection Curves



Object 5 x 5 cm, white 90 %
Object 5 x 5 cm, white 90 %

Vertical Inclination



An angle of 5 to 10° from vertical is recommended for reflective or transparent surfaces Maximum vertical inclination: 20°